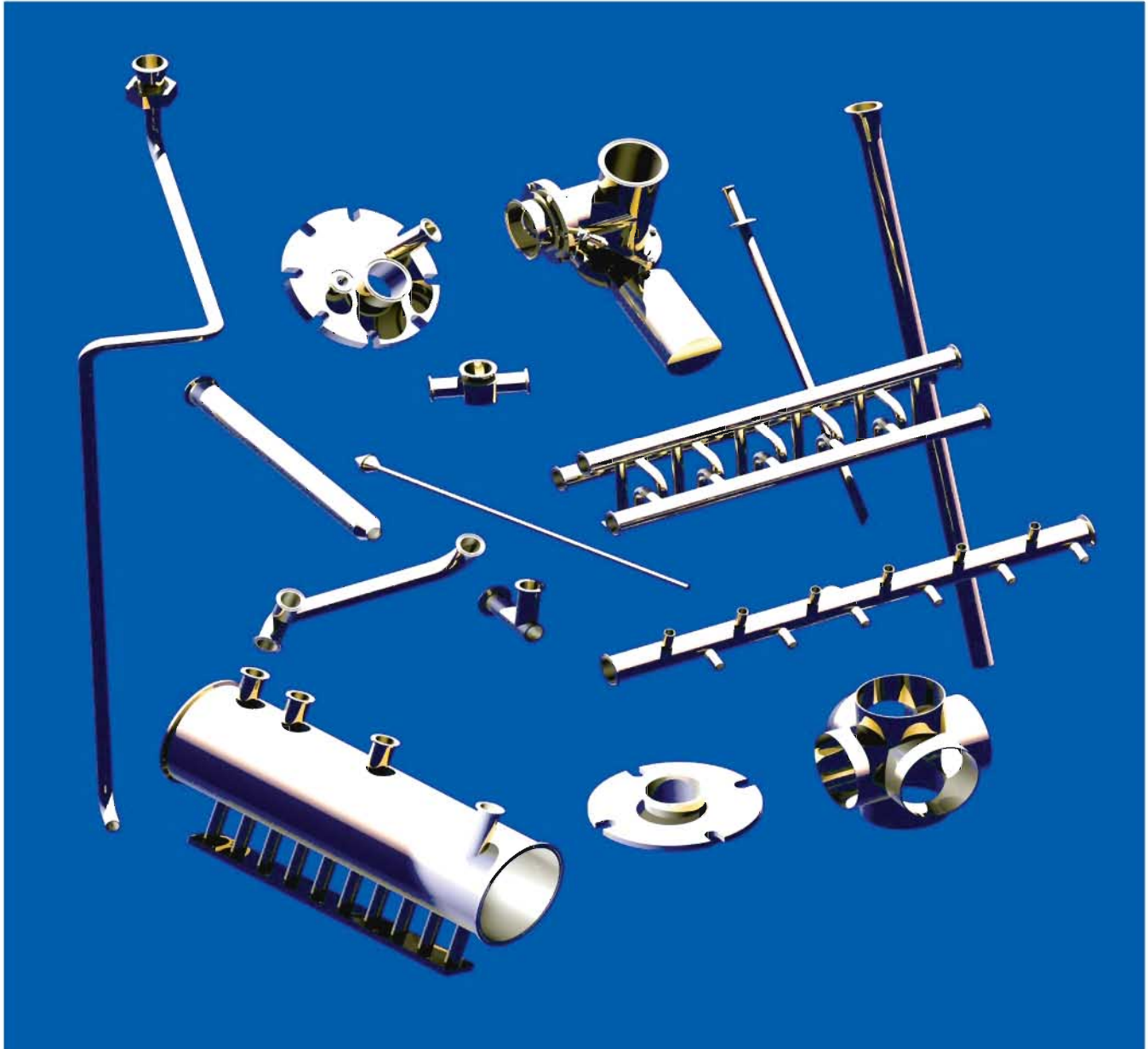


*Andron Stainless  
Corporation*

## CUSTOM FABRICATION



MEMBER OF:



7404 Fairfield Road Columbia, South Carolina 29203

Phone: (803) 754-8808

Fax: (803) 754-8838

Toll Free: 1-800-222-3312

Visit our website at: [www.andronstainless.com](http://www.andronstainless.com)

# Our Commitment



Andron Stainless Corporation is a full line supplier of industry standard fittings. We manufacture high quality sanitary stainless steel products for the food, dairy, beverage, and chemical industries.

Andron Stainless Corporation and its personnel are committed to providing quality custom fittings, with on-time delivery, at reasonable prices. It is this commitment that allows Andron to respond quickly to our customer's needs and exceed their expectations.



Andron's experience as a full line supplier of standard fittings has allowed us to meet the custom fabrication needs of our customers. Our staff's experience within the marketplace allows us to produce a variety of custom products while also assisting in the design of them.

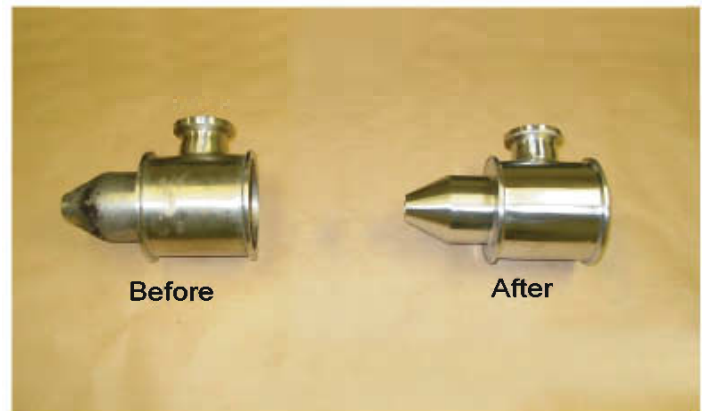


# Overview of Andron's Custom Capabilities



Andron Stainless Corporation has been producing custom fabrications since 1993. Andron's manufacturing facilities are located in Columbia, SC, which allows Andron to be responsive to the increasingly shorter lead times needed by our customers.

Andron has a wide array of custom capabilities. These capabilities range from original custom piece fabrication to modifications of standard fittings to the redesign or rework of a customer's existing pieces. These custom modifications are also made to other product lines, such as, our strainer line and valves.



Andron offers a wide variety of fittings that are not typically off the shelf items. Products offered include but are not limited to, large radius elbows, instrument tees, jacketed spool pieces, dip tube assemblies, and many other fabrications. In addition to 304 & 316L, Andron offers other alloys including C22, C276, Inconel, AL6XN, Titanium, 2205, 317L, and many other alloys.



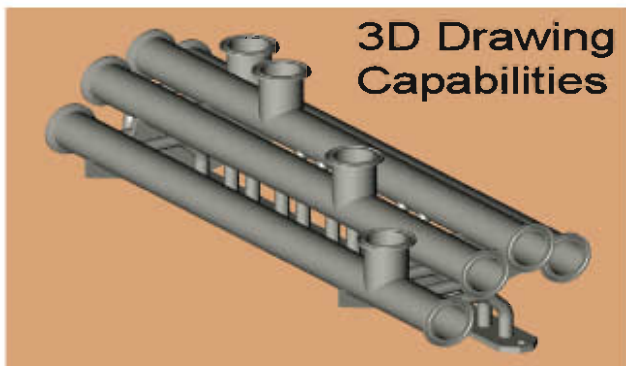
# Machining, Welding, & Fabrication

Andron Stainless Corporation has extensive machining capabilities including CNC lathe turning & CNC milling. Andron's welding capabilities allow us to produce manifolds up to 20 feet in length. We are also able to place a variety of different style and sized side ports onto your manifolds. Our fabrication capabilities range in size from .5" to 12" in diameter. Our machining and fabrication abilities allow for a variety of modifications to your existing parts. These modifications may include but are not limited to, valve end modifications, adding an additional port, or machining adapters for your piece. These capabilities allow us to meet the many variations your customer may need in order to fit an existing line.



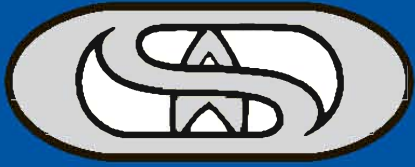
# Polishing, Engineering, & Quality Control

Andron Stainless Corporation offers a variety of polishing options. We are able to produce many different types of finishes. Our engineering experience allows us to create finished products from as little as a hand drawn sketch. Andron has both 2D and 3D drawing capabilities for producing drawings for your approval. Andron's staff will also work with you during the quoting process to offer other possible alternatives that may be available to help reduce the cost of the piece. All custom fabrications pass through a rigorous quality control process in order to ensure quality and customer satisfaction. It is this commitment to quality and service that has made Andron Stainless a leader in custom fabrication.



3D Drawing Capabilities





*Andron Stainless  
Corporation*



### History

Andron Stainless Corporation was founded in 1993 and has a sister company located in Mississauga, Canada. Andron Stainless Corporation's principals have over 100 years combined industry experience. It is this experience that has developed our reputation as a company committed to offering outstanding service, while producing quality fittings in a timely manner.

In order to maintain our high quality standards, Andron is a member of 3A, FISA, and the South Carolina Manufacturers Alliance.

Andron Stainless Corporation is dedicated to our commitment of customer satisfaction. We look forward to hearing from you and assisting with your custom fabrication needs.

Distributed By:

Andron Stainless Corporation  
7404 Fairfield Road  
Columbia, South Carolina 29203  
Phone: (803) 754-8808  
Fax: (803) 754-8838  
**Toll Free: 800-222-3312**

Visit our website at: [www.andronstainless.com](http://www.andronstainless.com)