



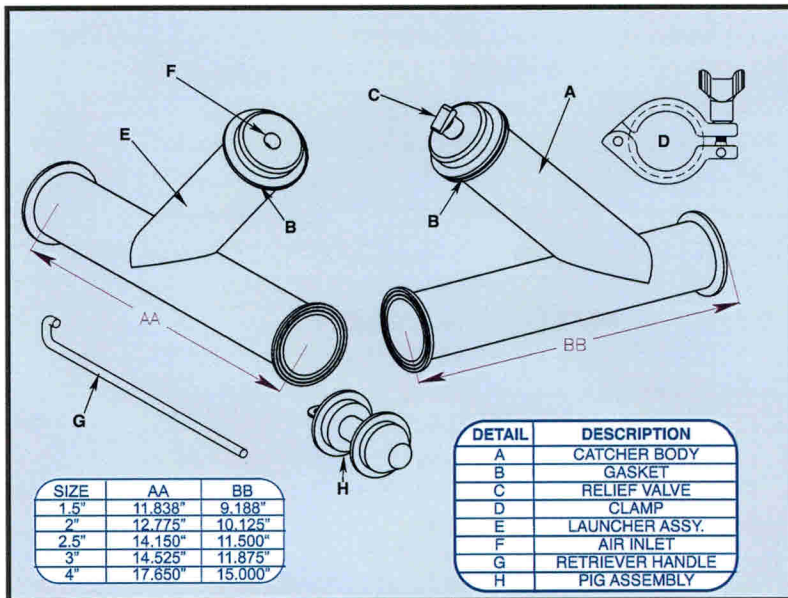
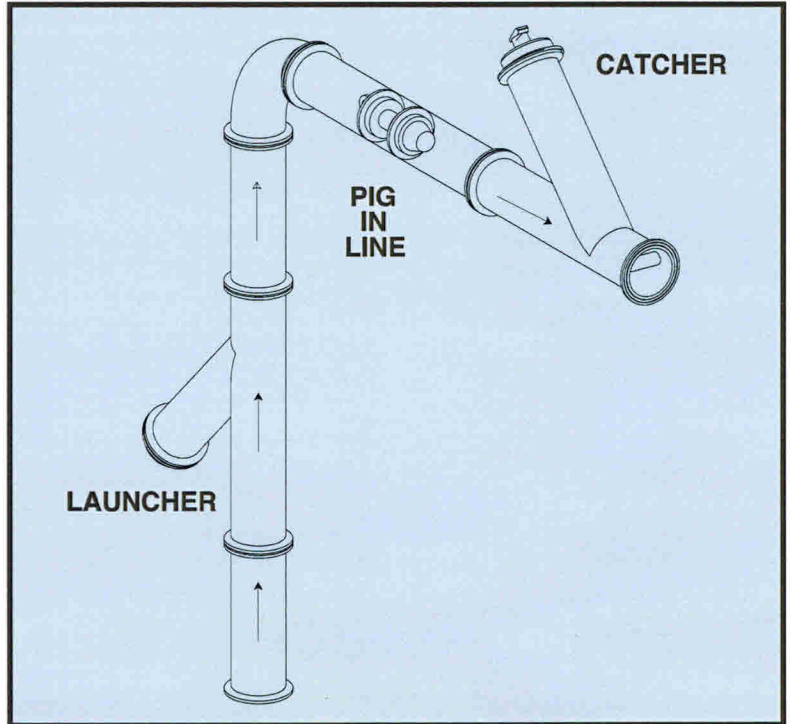
# Andron Stainless Corp.

## Product Recovery System Model PRS316

**The Andron Stainless Product Recovery System** provides an effective means to recover valuable product remaining in the pipelines at the end of a production run.

The PRS316 is installed between the pump discharge and the end of the pipeline. The system includes a 45-degree lateral wye which serves as the projectile launcher and pressure input, a flexible, projectile (pig) made from food grade materials, and a catcher lateral wye with a pressure relief valve. The projectile is designed to travel through standard 90-degree elbows and tees.

Made of 316L stainless steel, the system components are available in sizes 1.5" through 4" tube O.D. Clamp, bevel seat, and I-Line connections are standard with custom end configurations available upon request. All stainless steel components are sanitary polished on the I.D. and O.D.



### Operation of the Recovery System

Prior to production start-up, the projectile is placed in the launching lateral. When the production run is completed, air pressure is introduced through the air inlet adapter to push the projectile through the pipeline. This action will allow the inside diameter of the pipeline to be scraped and the collected product forced into a recovery point at the end of the pipeline.

After the projectile reaches the catcher lateral and stops, the air pressure must be shut off. Opening the catcher lateral relief valve then relieves and pressure remaining in the line. The projectile can then be removed using the retriever hook, cleaned, and placed back into the launcher for the next cleaning run.

Andron Stainless Corporation

7404 Fairfield Rd. Columbia, SC 29203  
 Phone: (800) 222-3312 Fax: (803) 754-8838  
[www.andronstainless.com](http://www.andronstainless.com)