

Andron Stainless Corp.

Manufacturing High Quality Sanitary Stainless Steel Products
for the Food, Dairy, Beverage, and Chemical Industries

Visit us on the web at: www.andronstainless.com

Phone: (803) 754-8808

Toll Free: (800) 222-3312

Fax: (803) 754-8838

Bleed/Sampling Valves



Bleed Valve Design	
Body Material 316L Stainless Steel	
EPDM or Platinum Silicone Class VI O-Ring	
Virgin (PTFE) Sealing Tip	
Radel Hand Wheel	
15 RA Electro-polished ID Finish Standard	
Autoclavable & Steamable	
Full Document Package Standard	
Outlet Design	
5/16" Hose Barb Outlet Connection Standard	
Other Connection Types Available Upon Request	
Inlet Sizes Available	
1/2" to 10" Clamp Connections Available	
Other Connection Types Available Upon Request	
Available Orientations	Applications
Concentric	Bleed Applications
Inline	Pressure Relief
Right Angle	Product Sampling
Eccentric (1" & Larger)	
Inline	
Right Angle	
Custom - Upon Request	
	Handwheels
	Available in PEEK (Gray)
	Colored Hand Wheels
	Available in Radel

This Bleed Valve was engineered to provide a cost effective solution for various applications. The valve can be used to easily sample product, to relieve residual pressure or liquids from a product line, or to bleed a line for such applications as priming a pump. The valve is designed to be used in the food, beverage, and chemical industries but will also meet the stringent requirements of the pharmaceutical and bio-tech industries.

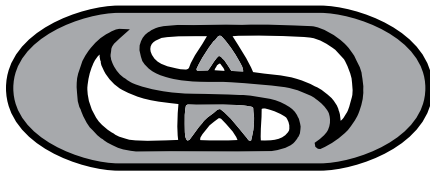


MEMBER OF:



& The South Carolina
Manufacturer's Alliance

7404 Fairfield Road
Columbia, SC 29203
Phone: (803) 754-8808
Fax: (803) 754-8838
Toll Free: 1-800-222-3312



Andron Stainless Corp.

Visit us on the web at: www.andronstainless.com

Phone: (803) 754-8808

Toll Free: (800) 222-3312

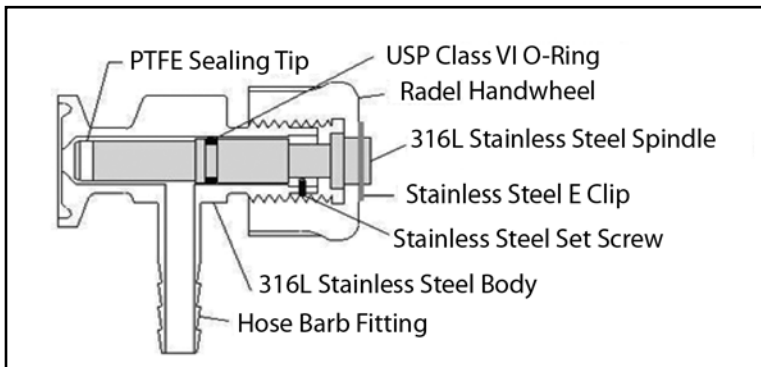
Fax: (803) 754-8838

Part Number Guide

Andron Stainless	Size 1/2" to 6" (See guide below right)	INLET Connection Tri-clamp or Butt-weld	Angle or Inline	Concentric or Eccentric	EPDM or Silicone	OUTLET Connection Tri-clamp or Hose Barb	Radel Colored Hand Wheel	
AND	075	TC or BW	A or I	C or E	E or S	TC or HB	RB	Blue
							RR	Red
							RG	Green
							RY	Yellow
							PK	PEEK

Example:

AND/150/TC/A/C/E/HB = 1.5" TC inlet, angle concentric, EPDM O-ring, hose barb outlet



Size	Part Number
1/2"-3/4"	075
1"	100
1.5"	150
2"	200
2.5"	250
3"	300
4"	400
6"	600



Description	Part Number
SS Set Screw	AND0010
SS E-Clip	AND0020
EPDM O-Ring Class VI	AND0030E
Silicone O-Ring Class VI	AND0030S
PTFE Sealing TIP	AND0040
Radel Hand Wheel Blue (Standard)	AND0050RB
Radel Colored Hand Wheel Red	AND0050RR
Radel Colored Hand Wheel Green	AND0050RG
Radel Colored Hand Wheel Yellow	AND0050RY
PEEK Hand Wheel	AND0050PK
Complete Standard Repair Kit	AND00150E
(one choice of o-ring)	AND00150S



To order a repair kit for valves with a different colored hand wheel add the color code on the end of the kit part number. (e.g. AND0150ERR = Repair kit with red hand wheel)

7404 Fairfield Road
Columbia, SC 29203
Phone: (803) 754-8808
Fax: (803) 754-8838
Toll Free: 1-800-222-3312